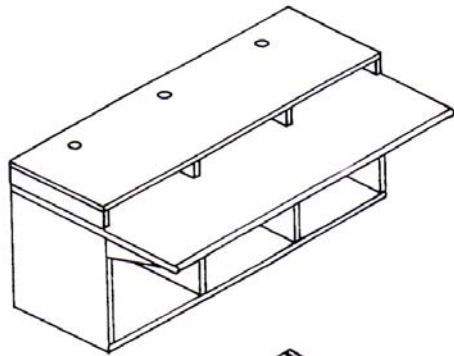


Modular Furniture Solutions for Technology Management.

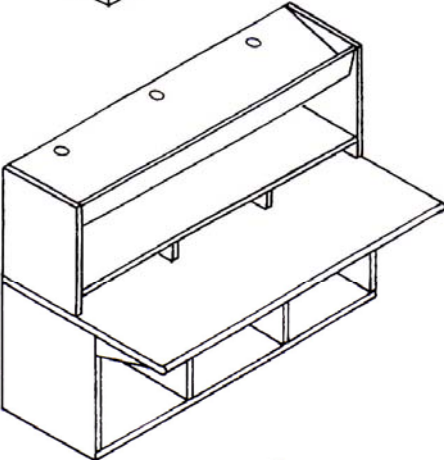
LAN Access furniture systems are designed to meet the critical demands of LAN Management, Command and Control Centers, Security Operations and other technology intensive environments.

LAN Access offers an extended range of modular components that maximize space utilization and provide enhanced access to technology and cabling. Advanced CAD/CAM production insures precise quality control and the ability to cost effectively modify components for specific technology and space requirements.

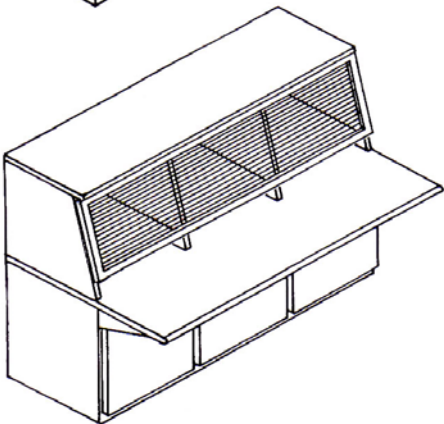
Choose From A Wide Range of LAN Access Components to Meet Your Specific Requirements



Consoles and Monitor Bridges are available in widths of 24", 48" and 72".

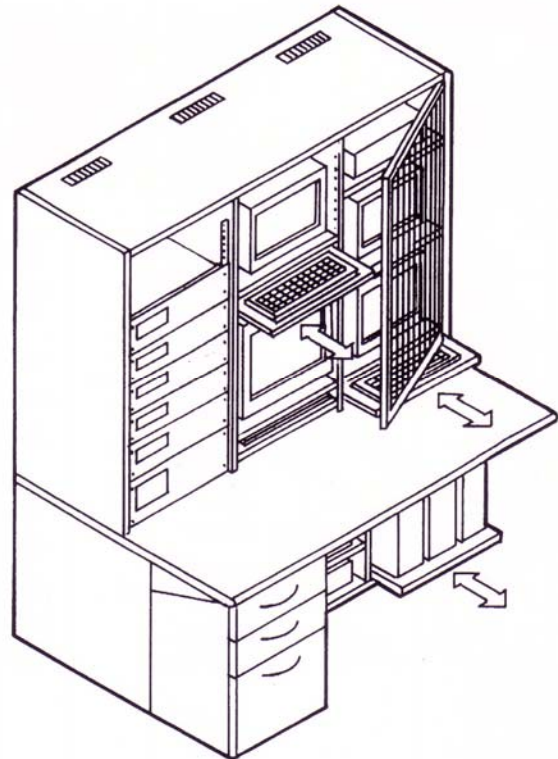


Consoles are 29 1/2" high, with 26 3/4" vertical clearance inside base cabinets for towers, printers and other equipment. Cantilevered worksurface depths are 36", 42" and 48" and feature an ergonomic bumpers edge.



Monitor Bridges are available in single and dual level configurations with optional tinted acrylic front panels, exhaust fans, and keyboard/mouse supports.

FlexSpace™ Technology Organizers offer unsurpassed flexibility with slide-out keyboard supports, rack mount capability and tinted acrylic front panels.



All LAN Access components are available made-to-measure to meet specific technology and space requirements.



For additional information please call **Cheryl Katzman** at **Datamation Systems:**
(201) 329-7200 or (973) 796-8468 FAX: (201) 329-7272

Datamation Systems, Inc., 125 Louis Street, South Hackensack, NJ 07606-1733
email: Datamation@pobox.com web: www.pc-security.com/caseworkDS

